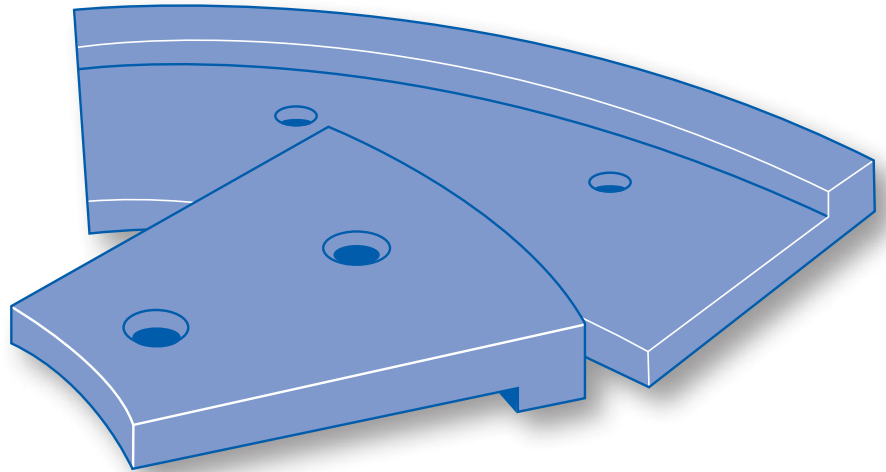


Diamondback[®] Urethane Classifier Shoes

Diamondback[®] Urethane Classifier Shoes can help control many of the problems common to bulk aggregate handlers. Designed to fit specific classifier models and sizes, Diamondback[®] offers many advantages over rubber, plastic and high alloy steel shoes.

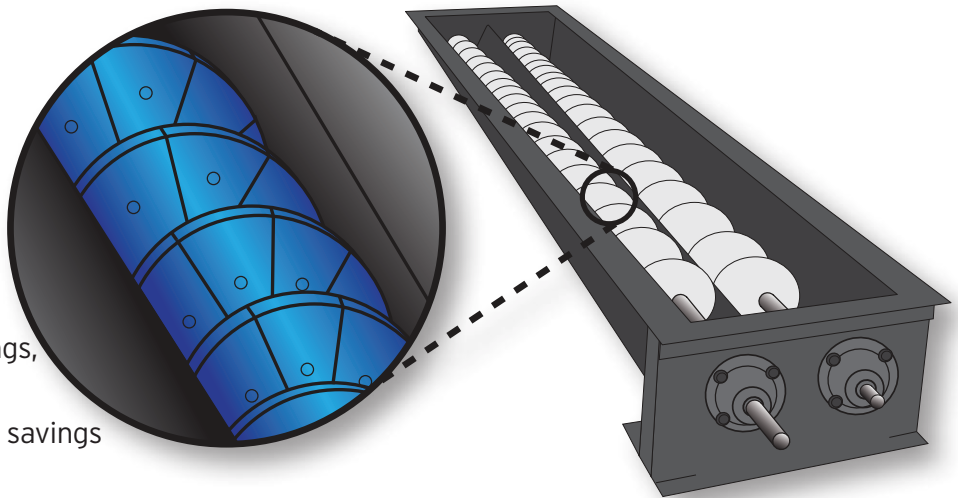


In applications involving extreme cutting abrasion, Diamondback[®] is known to outwear even high alloy steel by a margin of 2.5 times to 1. In addition to weighing only 1/7 as much as high alloy steel, Diamondback[®] is flexible, eliminating the need for separate right and left hand shoes.

Bailey-Parks Urethane also offers experience, reliability and proven performance. Since 1970, we have supplied industry with quality urethane products, competitively priced and backed by good old fashioned hard work and service.

Advantages of Diamondback[®] Classifier Shoes

- **LIGHT WEIGHT** - Saves money on freight, less strain on motors and bearings, less strain on installation crew.
- **LONG WEARING** - Less down time, cost savings on labor, freight and shoes themselves!



MANUFACTURED BY



Bailey-Parks Urethane

Solutions...Not Problems

1-800-238-7638